

INFOS

GÉNÉRAL

Type de montage: Encastré

Forme: Rond

Corps: Aluminium injecté

Couleur: Blanc, Gris, Noir

IP20 / IP44

LED

2700K / 3000K / 4000K

CRI >90

L80 50'000h Ta 20°C

MacAdam: 3

OPTIQUE

Faisceau 20° / 40° / 60°

UGR <19

Réflecteur miroité

Vitre de protection PMMA

ELECTRIQUE

10W 350mA / 15W 500mA

STD / DALI Dim. 1% - 100%

Flux lumineux: 700 lm / 1100 lm

Lambda: 0.95

Classe de protection: III

DIMENSION

Diamètre 80 mm

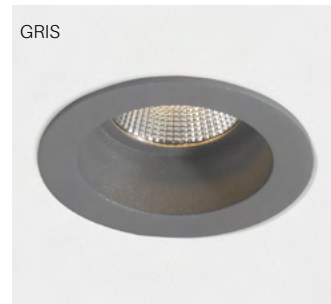
Hauteur 80 mm / 102 mm

Poids 0.160 / 0.180 Kg

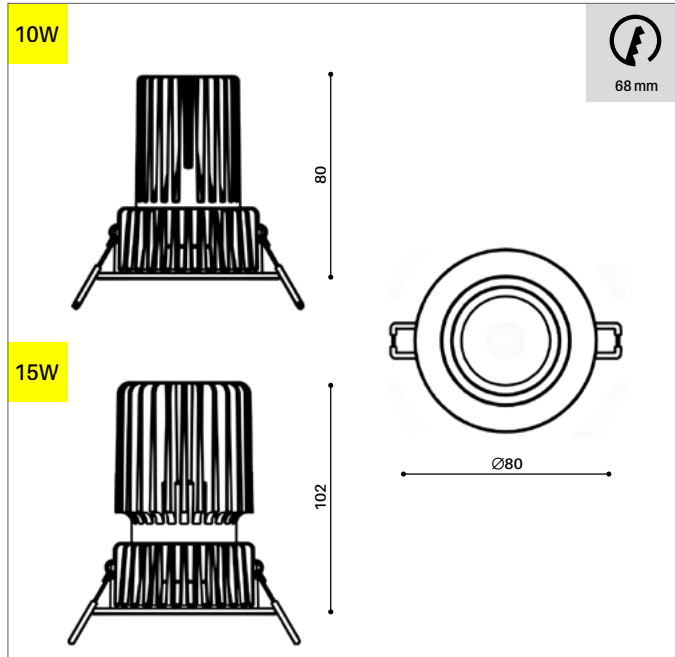
ENCASTREMENT

Découpe 68 mm

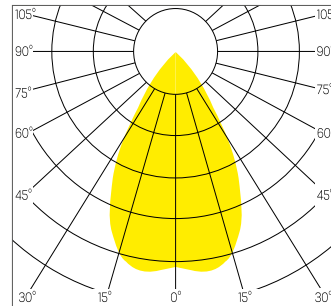
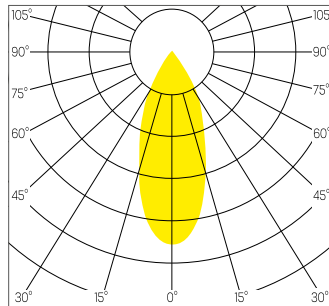
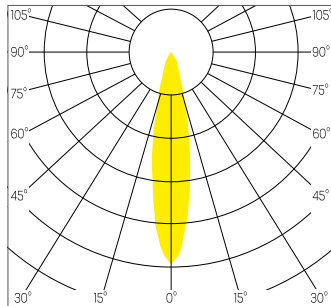
Ep. plafond 1-25 mm



DESSIN TECHNIQUE



DISTRIBUTION DE LA LUMIÈRE



LEDIXA SÀRL

Chemin de Cousson 23

CH - 1032 Romanel-sur-Lausanne

LEDIXA.COM

T +41 21 320 21 21

E info@ledixa.com

Les caractéristiques techniques sont des valeurs assignées pour une température ambiante de 25°C. Les données de flux lumineux sont soumises à une tolérance initiale de +/- 10%, celles de puissance électrique connectée à une tolérance initiale de +/- 10% et celles de température de couleur initiale de +/- 150 kelvins. Nous déclinons toute responsabilité relativement à d'éventuelles erreurs d'impression.

© LEDIXA SÀRL 5 ANS DE GARANTIE SELON NOS CONDITIONS DE GARANTIE.





RÉFÉRENCÉS										NO. COMMANDE
CURVA 68	Blanc	LED	10 w/m	700 lm	2700K	20°	90	STD	374.09.27.20.W	
CURVA 68	Blanc	LED	10 w/m	700 lm	2700K	40°	90	STD	374.09.27.40.W	
CURVA 68	Blanc	LED	10 w/m	700 lm	2700K	60°	90	STD	374.09.27.60.W	
CURVA 68	Blanc	LED	10 w/m	700 lm	3000K	20°	90	STD	374.09.30.20.W	
CURVA 68	Blanc	LED	10 w/m	700 lm	3000K	40°	90	STD	374.09.30.40.W	
CURVA 68	Blanc	LED	10 w/m	700 lm	3000K	60°	90	STD	374.09.30.60.W	
CURVA 68	Blanc	LED	10 w/m	700 lm	4000K	20°	90	STD	374.09.40.20.W	
CURVA 68	Blanc	LED	10 w/m	700 lm	4000K	40°	90	STD	374.09.40.40.W	
CURVA 68	Blanc	LED	10 w/m	700 lm	4000K	60°	90	STD	374.09.40.60.W	
CURVA 68	Blanc	LED	15 w/m	1100 lm	2700K	20°	90	STD	374.15.27.20.W	
CURVA 68	Blanc	LED	15 w/m	1100 lm	2700K	40°	90	STD	374.15.27.40.W	
CURVA 68	Blanc	LED	15 w/m	1100 lm	2700K	60°	90	STD	374.15.27.60.W	
CURVA 68	Blanc	LED	15 w/m	1100 lm	3000K	20°	90	STD	374.15.30.20.W	
CURVA 68	Blanc	LED	15 w/m	1100 lm	3000K	40°	90	STD	374.15.30.40.W	
CURVA 68	Blanc	LED	15 w/m	1100 lm	3000K	60°	90	STD	374.15.30.60.W	
CURVA 68	Blanc	LED	15 w/m	1100 lm	4000K	20°	90	STD	374.15.40.20.W	
CURVA 68	Blanc	LED	15 w/m	1100 lm	4000K	40°	90	STD	374.15.40.40.W	
CURVA 68	Blanc	LED	15 w/m	1100 lm	4000K	60°	90	STD	374.15.40.60.W	
CURVA 68	Blanc	LED	10 w/m	700 lm	2700K	20°	90	DALI	374.09.27.20.W.DA	
CURVA 68	Blanc	LED	10 w/m	700 lm	2700K	40°	90	DALI	374.09.27.40.W.DA	
CURVA 68	Blanc	LED	10 w/m	700 lm	2700K	60°	90	DALI	374.09.27.60.W.DA	
CURVA 68	Blanc	LED	10 w/m	700 lm	3000K	20°	90	DALI	374.09.30.20.W.DA	
CURVA 68	Blanc	LED	10 w/m	700 lm	3000K	40°	90	DALI	374.09.30.40.W.DA	
CURVA 68	Blanc	LED	10 w/m	700 lm	3000K	60°	90	DALI	374.09.30.60.W.DA	
CURVA 68	Blanc	LED	10 w/m	700 lm	4000K	20°	90	DALI	374.09.40.20.W.DA	
CURVA 68	Blanc	LED	10 w/m	700 lm	4000K	40°	90	DALI	374.09.40.40.W.DA	
CURVA 68	Blanc	LED	10 w/m	700 lm	4000K	60°	90	DALI	374.09.40.60.W.DA	
CURVA 68	Blanc	LED	15 w/m	1100 lm	2700K	20°	90	DALI	374.15.27.20.W.DA	
CURVA 68	Blanc	LED	15 w/m	1100 lm	2700K	40°	90	DALI	374.15.27.40.W.DA	
CURVA 68	Blanc	LED	15 w/m	1100 lm	2700K	60°	90	DALI	374.15.27.60.W.DA	
CURVA 68	Blanc	LED	15 w/m	1100 lm	3000K	20°	90	DALI	374.15.30.20.W.DA	
CURVA 68	Blanc	LED	15 w/m	1100 lm	3000K	40°	90	DALI	374.15.30.40.W.DA	
CURVA 68	Blanc	LED	15 w/m	1100 lm	3000K	60°	90	DALI	374.15.30.60.W.DA	
CURVA 68	Blanc	LED	15 w/m	1100 lm	4000K	20°	90	DALI	374.15.40.20.W.DA	
CURVA 68	Blanc	LED	15 w/m	1100 lm	4000K	40°	90	DALI	374.15.40.40.W.DA	
CURVA 68	Blanc	LED	15 w/m	1100 lm	4000K	60°	90	DALI	374.15.40.60.W.DA	





RÉFÉRENCÉS										NO. COMMANDE	
CURVA 68	Gris	LED	10 w/m	700 lm	2700K	20°	90	STD	374.09.27.20.G		
CURVA 68	Gris	LED	10 w/m	700 lm	2700K	40°	90	STD	374.09.27.40.G		
CURVA 68	Gris	LED	10 w/m	700 lm	2700K	60°	90	STD	374.09.27.60.G		
CURVA 68	Gris	LED	10 w/m	700 lm	3000K	20°	90	STD	374.09.30.20.G		
CURVA 68	Gris	LED	10 w/m	700 lm	3000K	40°	90	STD	374.09.30.40.G		
CURVA 68	Gris	LED	10 w/m	700 lm	3000K	60°	90	STD	374.09.30.60.G		
CURVA 68	Gris	LED	10 w/m	700 lm	4000K	20°	90	STD	374.09.40.20.G		
CURVA 68	Gris	LED	10 w/m	700 lm	4000K	40°	90	STD	374.09.40.40.G		
CURVA 68	Gris	LED	10 w/m	700 lm	4000K	60°	90	STD	374.09.40.60.G		
CURVA 68	Gris	LED	15 w/m	1100 lm	2700K	20°	90	STD	374.15 w/m.27.20.G		
CURVA 68	Gris	LED	15 w/m	1100 lm	2700K	40°	90	STD	374.15 w/m.27.40.G		
CURVA 68	Gris	LED	15 w/m	1100 lm	2700K	60°	90	STD	374.15 w/m.27.60.G		
CURVA 68	Gris	LED	15 w/m	1100 lm	3000K	20°	90	STD	374.15 w/m.30.20.G		
CURVA 68	Gris	LED	15 w/m	1100 lm	3000K	40°	90	STD	374.15 w/m.30.40.G		
CURVA 68	Gris	LED	15 w/m	1100 lm	3000K	60°	90	STD	374.15 w/m.30.60.G		
CURVA 68	Gris	LED	15 w/m	1100 lm	4000K	20°	90	STD	374.15 w/m.40.20.G		
CURVA 68	Gris	LED	15 w/m	1100 lm	4000K	40°	90	STD	374.15 w/m.40.40.G		
CURVA 68	Gris	LED	15 w/m	1100 lm	4000K	60°	90	STD	374.15 w/m.40.60.G		
CURVA 68	Gris	LED	10 w/m	700 lm	2700K	20°	90	DALI	374.09.27.20.G.DA		
CURVA 68	Gris	LED	10 w/m	700 lm	2700K	40°	90	DALI	374.09.27.40.G.DA		
CURVA 68	Gris	LED	10 w/m	700 lm	2700K	60°	90	DALI	374.09.27.60.G.DA		
CURVA 68	Gris	LED	10 w/m	700 lm	3000K	20°	90	DALI	374.09.30.20.G.DA		
CURVA 68	Gris	LED	10 w/m	700 lm	3000K	40°	90	DALI	374.09.30.40.G.DA		
CURVA 68	Gris	LED	10 w/m	700 lm	3000K	60°	90	DALI	374.09.30.60.G.DA		
CURVA 68	Gris	LED	10 w/m	700 lm	4000K	20°	90	DALI	374.09.40.20.G.DA		
CURVA 68	Gris	LED	10 w/m	700 lm	4000K	40°	90	DALI	374.09.40.40.G.DA		
CURVA 68	Gris	LED	10 w/m	700 lm	4000K	60°	90	DALI	374.09.40.60.G.DA		
CURVA 68	Gris	LED	15 w/m	1100 lm	2700K	20°	90	DALI	374.15 w/m.27.20.G.DA		
CURVA 68	Gris	LED	15 w/m	1100 lm	2700K	40°	90	DALI	374.15 w/m.27.40.G.DA		
CURVA 68	Gris	LED	15 w/m	1100 lm	2700K	60°	90	DALI	374.15 w/m.27.60.G.DA		
CURVA 68	Gris	LED	15 w/m	1100 lm	3000K	20°	90	DALI	374.15 w/m.30.20.G.DA		
CURVA 68	Gris	LED	15 w/m	1100 lm	3000K	40°	90	DALI	374.15 w/m.30.40.G.DA		
CURVA 68	Gris	LED	15 w/m	1100 lm	3000K	60°	90	DALI	374.15 w/m.30.60.G.DA		
CURVA 68	Gris	LED	15 w/m	1100 lm	4000K	20°	90	DALI	374.15 w/m.40.20.G.DA		
CURVA 68	Gris	LED	15 w/m	1100 lm	4000K	40°	90	DALI	374.15 w/m.40.40.G.DA		
CURVA 68	Gris	LED	15 w/m	1100 lm	4000K	60°	90	DALI	374.15 w/m.40.60.G.DA		





RÉFÉRENCÉS										NO. COMMANDE	
CURVA 68	Noir	LED	10 w/m	700 lm	2700K	20°	90	STD	374.09.27.20.B		
CURVA 68	Noir	LED	10 w/m	700 lm	2700K	40°	90	STD	374.09.27.40.B		
CURVA 68	Noir	LED	10 w/m	700 lm	2700K	60°	90	STD	374.09.27.60.B		
CURVA 68	Noir	LED	10 w/m	700 lm	3000K	20°	90	STD	374.09.30.20.B		
CURVA 68	Noir	LED	10 w/m	700 lm	3000K	40°	90	STD	374.09.30.40.B		
CURVA 68	Noir	LED	10 w/m	700 lm	3000K	60°	90	STD	374.09.30.60.B		
CURVA 68	Noir	LED	10 w/m	700 lm	4000K	20°	90	STD	374.09.40.20.B		
CURVA 68	Noir	LED	10 w/m	700 lm	4000K	40°	90	STD	374.09.40.40.B		
CURVA 68	Noir	LED	10 w/m	700 lm	4000K	60°	90	STD	374.09.40.60.B		
CURVA 68	Noir	LED	15 w/m	1100 lm	2700K	20°	90	STD	374.15.27.20.B		
CURVA 68	Noir	LED	15 w/m	1100 lm	2700K	40°	90	STD	374.15.27.40.B		
CURVA 68	Noir	LED	15 w/m	1100 lm	2700K	60°	90	STD	374.15.27.60.B		
CURVA 68	Noir	LED	15 w/m	1100 lm	3000K	20°	90	STD	374.15.30.20.B		
CURVA 68	Noir	LED	15 w/m	1100 lm	3000K	40°	90	STD	374.15.30.40.B		
CURVA 68	Noir	LED	15 w/m	1100 lm	3000K	60°	90	STD	374.15.30.60.B		
CURVA 68	Noir	LED	15 w/m	1100 lm	4000K	20°	90	STD	374.15.40.20.B		
CURVA 68	Noir	LED	15 w/m	1100 lm	4000K	40°	90	STD	374.15.40.40.B		
CURVA 68	Noir	LED	15 w/m	1100 lm	4000K	60°	90	STD	374.15.40.60.B		
CURVA 68	Noir	LED	10 w/m	700 lm	2700K	20°	90	DALI	374.09.27.20.B.DA		
CURVA 68	Noir	LED	10 w/m	700 lm	2700K	40°	90	DALI	374.09.27.40.B.DA		
CURVA 68	Noir	LED	10 w/m	700 lm	2700K	60°	90	DALI	374.09.27.60.B.DA		
CURVA 68	Noir	LED	10 w/m	700 lm	3000K	20°	90	DALI	374.09.30.20.B.DA		
CURVA 68	Noir	LED	10 w/m	700 lm	3000K	40°	90	DALI	374.09.30.40.B.DA		
CURVA 68	Noir	LED	10 w/m	700 lm	3000K	60°	90	DALI	374.09.30.60.B.DA		
CURVA 68	Noir	LED	10 w/m	700 lm	4000K	20°	90	DALI	374.09.40.20.B.DA		
CURVA 68	Noir	LED	10 w/m	700 lm	4000K	40°	90	DALI	374.09.40.40.B.DA		
CURVA 68	Noir	LED	10 w/m	700 lm	4000K	60°	90	DALI	374.09.40.60.B.DA		
CURVA 68	Noir	LED	15 w/m	1100 lm	2700K	20°	90	DALI	374.15.27.20.B.DA		
CURVA 68	Noir	LED	15 w/m	1100 lm	2700K	40°	90	DALI	374.15.27.40.B.DA		
CURVA 68	Noir	LED	15 w/m	1100 lm	2700K	60°	90	DALI	374.15.27.60.B.DA		
CURVA 68	Noir	LED	15 w/m	1100 lm	3000K	20°	90	DALI	374.15.30.20.B.DA		
CURVA 68	Noir	LED	15 w/m	1100 lm	3000K	40°	90	DALI	374.15.30.40.B.DA		
CURVA 68	Noir	LED	15 w/m	1100 lm	3000K	60°	90	DALI	374.15.30.60.B.DA		
CURVA 68	Noir	LED	15 w/m	1100 lm	4000K	20°	90	DALI	374.15.40.20.B.DA		
CURVA 68	Noir	LED	15 w/m	1100 lm	4000K	40°	90	DALI	374.15.40.40.B.DA		
CURVA 68	Noir	LED	15 w/m	1100 lm	4000K	60°	90	DALI	374.15.40.60.B.DA		

