

# LITEN M

## LINEAR LIGHTING SOLUTIONS



LEDIXA  
LED LIGHTING

### INFOS

#### GÉNÉRAL

Type de montage: encastré et applique

Forme: linéaire

Corps en aluminium anodisé

Couleur: Aluminium

IP20 / IP67

#### LED

Disponible en ECO+ et PRO+

7 LED par section de 62,50mm

2700K / 6200K

IRC>80 / IRC>90

L80 50'000h Ta 20°C

MacAdam: 3

#### ELECTRIQUE

6W / 12W / 23W

Flux lumineux: de 480lm à 3120lm

Classe de protection: III

#### DIMENSION

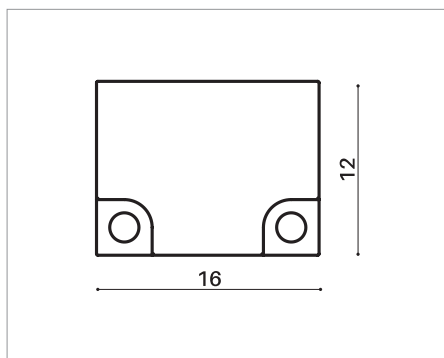
Dim. 16x12 mm

Longueur max. 6000 mm

Poids 0.190 (Kg/m)IP20 / Poids 0.320 (Kg/m)IP670



### DESSIN TECHNIQUE



### PUISSANCE

6W

12W

23W

### TYPOLOGIE



**APPLIQUE  
HORIZONTALE**  
PLAFOND  
MUR



**ENCASTRÉ**  
PLAFOND  
MUR  
ENCASTRÉ MEUBLE



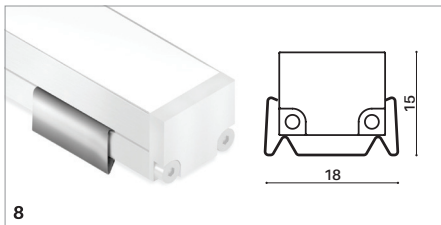
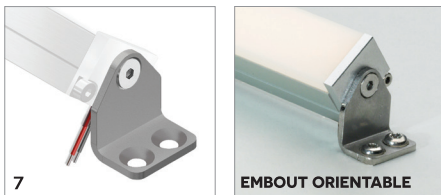
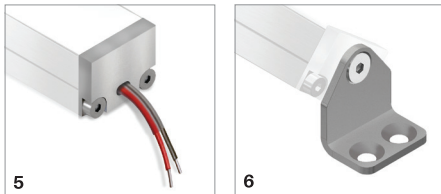
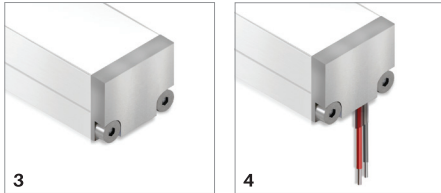
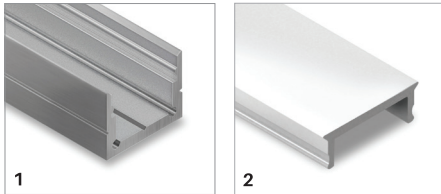
# LITEN M

## LINEAR LIGHTING SOLUTIONS



LEDIXA  
LED LIGHTING

### ACCESSOIRES



INDEX	DESCRIPTION ( CONFIGUREZ EN VRAC - SANS GARANTIE )	UNITÉ	N° DE COMMANDE
1	Picolinea LITEN M Profile (longueur max. 6000 mm)	m	112.161.001
2	Picolinea LITEN M Diffuseur (longueur max. 6000 mm)	m	112.161.002
3	Picolinea LITEN M Embout	pc	112.161.005
4	Picolinea LITEN M Embout sortie de câble arrière	pc	112.161.008
5	Picolinea LITEN M Embout sortie de câble latérale	pc	112.161.009
6	Picolinea LITEN M Embout support orientable	pc	112.161.006
7	Picolinea LITEN M Embout support orientable et sortie de câble	pc	112.161.007
8	Picolinea LITEN M Clip	pc	112.161.004

RÉFÉRENCE ( CONFIGUREZ MONTÉ D'USINE )		N° DE COMMANDE		
<b>ECO +</b>	LITEN M Eco 6 w/m 690 lm 2700 K IRC>80 24 vdc	161.E06.827		
	LITEN M Eco 6 w/m 720 lm 3000 K IRC>80 24 vdc	161.E06.830		
	LITEN M Eco 6 w/m 750 lm 4000 K IRC>80 24 vdc	161.E06.840		
	LITEN M Eco 12 w/m 1380 lm 2700 K IRC>80 24 vdc	161.E12.827		
	LITEN M Eco 12 w/m 1450 lm 3000 K IRC>80 24 vdc	161.E12.830		
	LITEN M Eco 12 w/m 1500 lm 4000 K IRC>80 24 vdc	161.E12.840		
	LITEN M Eco 23 w/m 2760 lm 2700 K IRC>80 24 vdc	161.E23.827		
	LITEN M Eco 23 w/m 2880 lm 3000 K IRC>80 24 vdc	161.E23.830		
	LITEN M Eco 23 w/m 3000 lm 4000 K IRC>80 24 vdc	161.E23.840		
	<b>PRO +</b>	LITEN M Pro 6 w/m 480 lm 2000 K IRC>80 24 vdc	161.P06.820	
LITEN M Pro 6 w/m 550 lm 2200 K IRC>80 24 vdc		161.P06.822		
LITEN M Pro 6 w/m 624 lm 2500 K IRC>80 24 vdc		161.P06.825		
LITEN M Pro 6 w/m 560 lm 2700 K IRC>90 24 vdc		161.P06.927		
LITEN M Pro 6 w/m 570lm 3000 K IRC>90 24 vdc		161.P06.930		
LITEN M Pro 6 w/m 590 lm 3500 K IRC>90 24 vdc		161.P06.935		
LITEN M Pro 6 w/m 600 lm 4000 K IRC>90 24 vdc		161.P06.940		
LITEN M Pro 6 w/m 830 lm 5000 K IRC>80 24 vdc		161.P06.850		
LITEN M Pro 12 w/m 960 lm 2000 K IRC>80 24 vdc		161.P12.820		
LITEN M Pro 12 w/m 1100 lm 2200 K IRC>80 24 vdc		161.P12.822		
LITEN M Pro 12 w/m 1250 lm 2500 K IRC>80 24 vdc		161.P12.825		
LITEN M Pro 12 w/m 1120 lm 2700 K IRC>90 24 vdc		161.P12.927		
LITEN M Pro 12 w/m 1140 lm 3000 K IRC>90 24 vdc		161.P12.930		
LITEN M Pro 12 w/m 1180lm 3500 K IRC>90 24 vdc		161.P12.935		
LITEN M Pro 12 w/m 1200 lm 4000 K IRC>90 24 vdc		161.P12.940		
LITEN M Pro 12 w/m 1560 lm 5000 K IRC>80 24 vdc		161.P12.850		
LITEN M Pro 23 w/m 1920 lm 2000 K IRC>80 24 vdc		161.P23.820		
LITEN M Pro 23 w/m 2200 lm 2200 K IRC>80 24 vdc		161.P23.822		
LITEN M Pro 23 w/m 2500 lm 2500 K IRC>80 24 vdc		161.P23.825		
LITEN M Pro 23 w/m 2260 lm 2700 K IRC>90 24 vdc		161.P23.927		
LITEN M Pro 23 w/m 2280 lm 3000 K IRC>90 24 vdc		161.P23.930		
LITEN M Pro 23 w/m 2360 lm 3500 K IRC>90 24 vdc		161.P23.935		
LITEN M Pro 23 w/m 2400 lm 4000 K IRC>90 24 vdc		161.P23.940		
LITEN M Pro 23 w/m 3120 lm 5000 K IRC>80 24 vdc		161.P23.850		
<b>RGB</b>		LITEN M Pro 20 w/m 650 lm RGB 24 vdc	161.RGB.000	
		<b>RGBW</b>	LITEN M Pro 26 w/m 1130 lm RGB + 2000 K IRC>80 24 vdc	161.RGBW.820
			LITEN M Pro 26 w/m 1200 lm RGB + 2200 K IRC>80 24 vdc	161.RGBW.822
			LITEN M Pro 26 w/m 1274 lm RGB + 2500 K IRC>80 24 vdc	161.RGBW.825
	LITEN M Pro 26 w/m 1210 lm RGB + 2700 K IRC>90 24 vdc		161.RGBW.927	
	LITEN M Pro 26 w/m 1220 lm RGB + 3000 K IRC>90 24 vdc		161.RGBW.930	
	LITEN M Pro 26 w/m 1240 lm RGB + 3500 K IRC>90 24 vdc		161.RGBW.935	
	LITEN M Pro 26 w/m 1250 lm RGB + 4000 K IRC>90 24 vdc		161.RGBW.840	
	LITEN M Pro 26 w/m 1480 lm RGB + 5000 K IRC>80 24 vdc		161.RGBW.850	
	<b>DYNAMIC</b>		LITEN M Pro 12 w/m 1050 lm 2000 - 3000 K IRC>80 24 vdc	161.DW12.2030
LITEN M Pro 12 w/m 1260 lm 2000 - 5000 K IRC>80 24 vdc			161.DW12.2050	
LITEN M Pro 12 w/m 1310 lm 2700 - 4000 K IRC>90 24 vdc		161.DW12.2740		
LITEN M Pro 23 w/m 2100 lm 2000 - 3000 K IRC>80 24 vdc		161.DW23.2030		
LITEN M Pro 23 w/m 2620 lm 2700 - 4000 K IRC>90 24 vdc		161.DW23.2740		
LITEN M Pro 23 w/m 2320 lm 2000 - 5000 K IRC>80 24 vdc		161.DW23.2050		



RÉFÉRENCE ( CONFIGUREZ MONTÉ D'USINE )							N° DE COMMANDE			
<b>Résine transparente</b>										
<b>PRO +</b>		LITEN M IP67	6 w/m	480 lm	2500 K	IRC>80	24 vdc	PE1.161.P06.820		
		LITEN M IP67	6 w/m	550 lm	3000 K	IRC>80	24 vdc	PE1.161.P06.822		
		LITEN M IP67	6 w/m	624 lm	3300 K	IRC>80	24 vdc	PE1.161.P06.825		
		LITEN M IP67	6 w/m	560 lm	3700 K	IRC>90	24 vdc	PE1.161.P06.927		
		LITEN M IP67	6 w/m	570 lm	4200 K	IRC>90	24 vdc	PE1.161.P06.930		
		LITEN M IP67	6 w/m	590 lm	5100 K	IRC>90	24 vdc	PE1.161.P06.935		
		LITEN M IP67	6 w/m	600 lm	6200 K	IRC>90	24 vdc	PE1.161.P06.940		
		LITEN M IP67	12 w/m	960 lm	2500 K	IRC>80	24 vdc	PE1.161.P12.820		
		LITEN M IP67	12 w/m	1100 lm	3000 K	IRC>80	24 vdc	PE1.161.P12.822		
		LITEN M IP67	12 w/m	1250lm	3300 K	IRC>80	24 vdc	PE1.161.P12.825		
		LITEN M IP67	12 w/m	1120 lm	3700 K	IRC>90	24 vdc	PE1.161.P12.927		
		LITEN M IP67	12 w/m	1140lm	4200 K	IRC>90	24 vdc	PE1.161.P12.930		
		LITEN M IP67	12 w/m	1180 lm	5100 K	IRC>90	24 vdc	PE1.161.P12.935		
		LITEN M IP67	12 w/m	1200 lm	6200 K	IRC>90	24 vdc	PE1.161.P12.940		
		LITEN M IP67	20 w/m	650 lm	RGB		24 vdc	PE1.161.RGB.000		
		LITEN M IP67	26 w/m	1130 lm	RGB + 2500 K	IRC>80	24 vdc	PE1.161.RGBW.820		
		LITEN M IP67	26 w/m	1200 lm	RGB + 3000 K	IRC>80	24 vdc	PE1.161.RGBW.822		
		LITEN M IP67	26 w/m	1274 lm	RGB + 3300 K	IRC>80	24 vdc	PE1.161.RGBW.825		
		LITEN M IP67	26 w/m	1210 lm	RGB + 3700 K	IRC>90	24 vdc	PE1.161.RGBW.927		
		LITEN M IP67	26 w/m	1220 lm	RGB + 4200 K	IRC>90	24 vdc	PE1.161.RGBW.930		
		LITEN M IP67	26 w/m	1240 lm	RGB + 5100 K	IRC>90	24 vdc	PE1.161.RGBW.935		
		LITEN M IP67	26 w/m	1250lm	RGB + 6200 K	IRC>90	24 vdc	PE1.161.RGBW.840		
				LITEN M IP67	12 w/m	1310 lm	2500 - 4200 K	IRC>90	24 vdc	PE1.161.DW12.2030
LITEN M IP67	12 w/m			1260 lm	2500 - 6200 K	IRC>80	24 vdc	PE1.161.DW12.2040		
<b>Résine opale</b>										
<b>PRO +</b>		LITEN M IP67	6 w/m	480 lm	2500 K	IRC>80	24 vdc	PE2.161.P06.820		
		LITEN M IP67	6 w/m	550 lm	2800 K	IRC>80	24 vdc	PE2.161.P06.822		
		LITEN M IP67	6 w/m	624 lm	3000 K	IRC>80	24 vdc	PE2.161.P06.825		
		LITEN M IP67	6 w/m	560 lm	3500 K	IRC>90	24 vdc	PE2.161.P06.927		
		LITEN M IP67	6 w/m	570 lm	4000 K	IRC>90	24 vdc	PE2.161.P06.930		
		LITEN M IP67	6 w/m	590lm	4700 K	IRC>90	24 vdc	PE2.161.P06.935		
		LITEN M IP67	6 w/m	600 lm	5700 K	IRC>90	24 vdc	PE2.161.P06.940		
		LITEN M IP67	12 w/m	960 lm	2500 K	IRC>80	24 vdc	PE2.161.P12.820		
		LITEN M IP67	12 w/m	1100 lm	2800 K	IRC>80	24 vdc	PE2.161.P12.822		
		LITEN M IP67	12 w/m	1250 lm	3000 K	IRC>80	24 vdc	PE2.161.P12.825		
		LITEN M IP67	12 w/m	1120 lm	3500 K	IRC>90	24 vdc	PE2.161.P12.927		
		LITEN M IP67	12 w/m	1140 lm	4000 K	IRC>90	24 vdc	PE2.161.P12.930		
		LITEN M IP67	12 w/m	1180 lm	4700 K	IRC>90	24 vdc	PE2.161.P12.935		
		LITEN M IP67	12 w/m	1200 lm	5700 K	IRC>90	24 vdc	PE2.161.P12.940		
				LITEN M IP67	20 w/m	650 lm	RGB		24 vdc	PE2.161.RGB.000
				LITEN M IP67	26 w/m	1130 lm	RGB + 2500 K	IRC>80	24 vdc	PE2.161.RGBW.820
LITEN M IP67	26 w/m			1200 lm	RGB + 2800 K	IRC>80	24 vdc	PE2.161.RGBW.822		
LITEN M IP67	26 w/m			1274 lm	RGB + 3000 K	IRC>80	24 vdc	PE2.161.RGBW.825		
LITEN M IP67	26 w/m			1210 lm	RGB + 3500 K	IRC>90	24 vdc	PE2.161.RGBW.927		
LITEN M IP67	26 w/m			1220 lm	RGB + 4000 K	IRC>90	24 vdc	PE2.161.RGBW.930		
LITEN M IP67	26 w/m			1240 lm	RGB + 4700 K	IRC>90	24 vdc	PE2.161.RGBW.935		
LITEN M IP67	26 w/m			1250 lm	RGB + 5700 K	IRC>90	24 vdc	PE2.161.RGBW.840		
				LITEN M IP67	12 w/m	1310 lm	2500 - 4000 K	IRC>90	24 vdc	PE2.161.DW12.2030
		LITEN M IP67	12 w/m	1260 lm	2500 - 5700 K	IRC>80	24 vdc	PE2.161.DW12.2040		